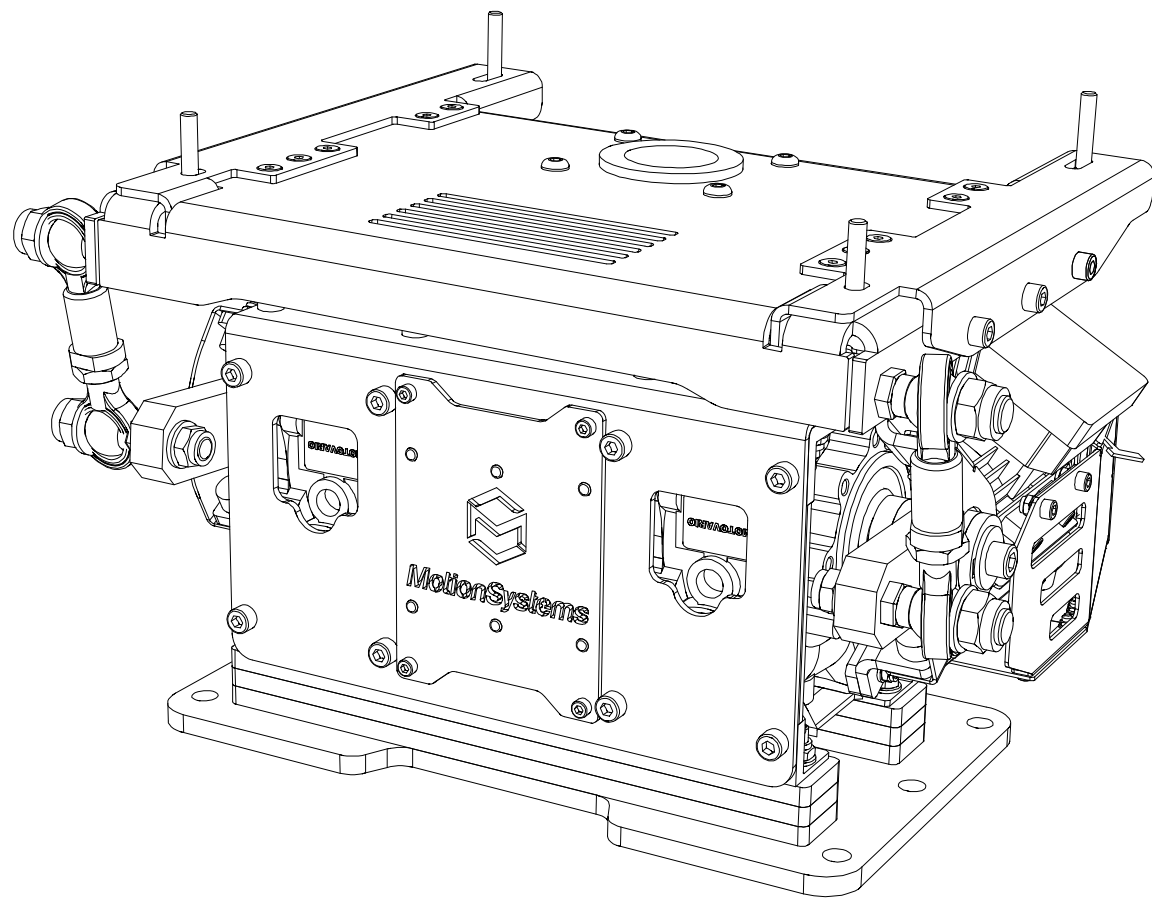


Motion Systems

Dokumentacja techniczna urządzenia
PS-2RM-150

General Dimensions and Motion Characteristics

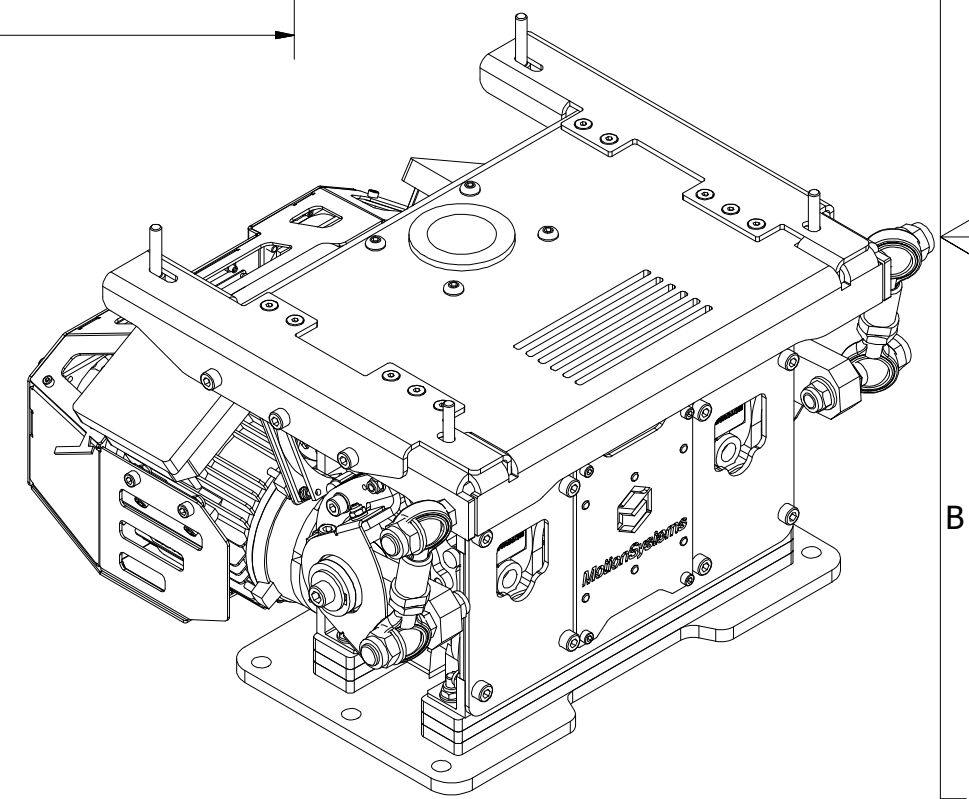
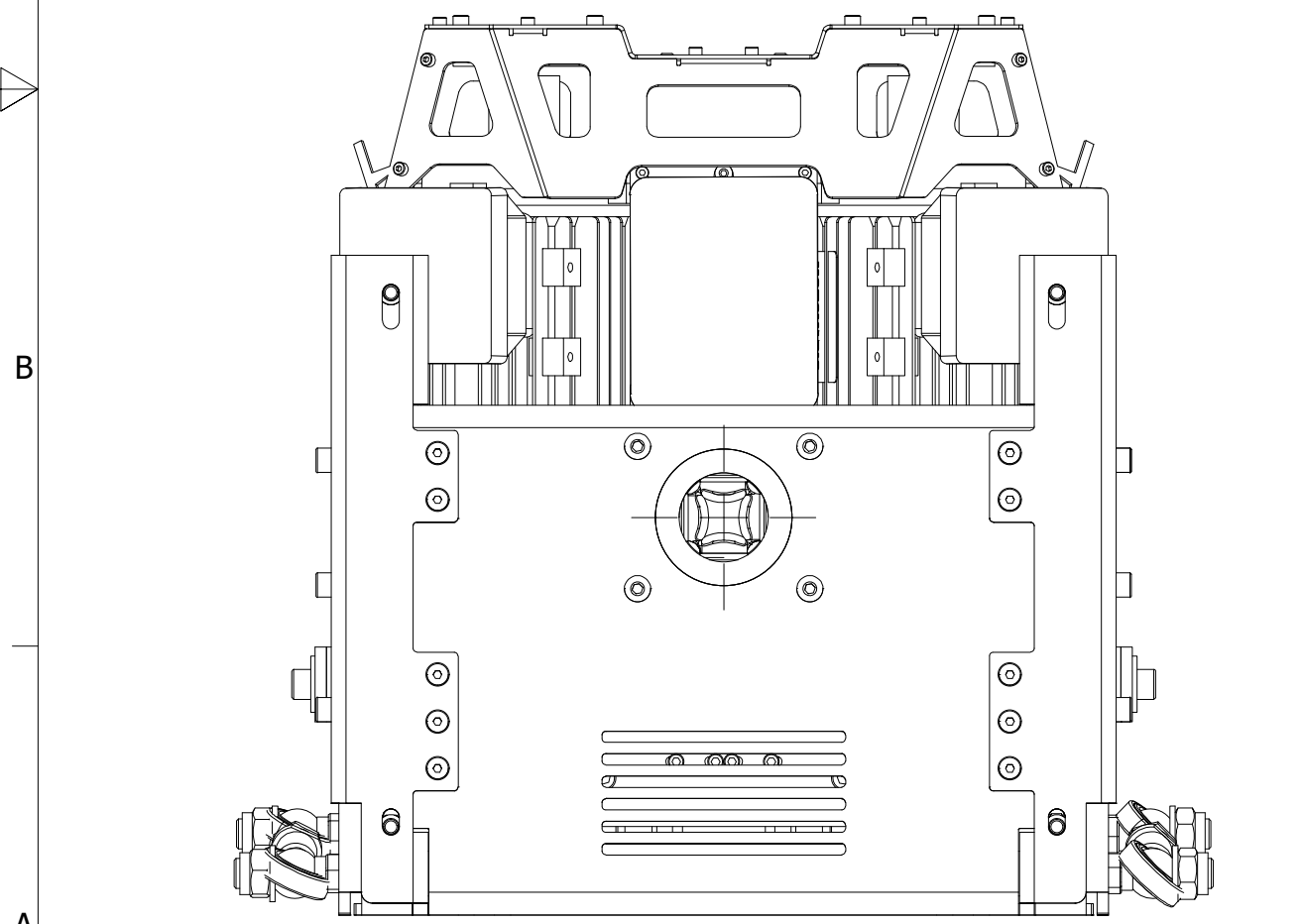
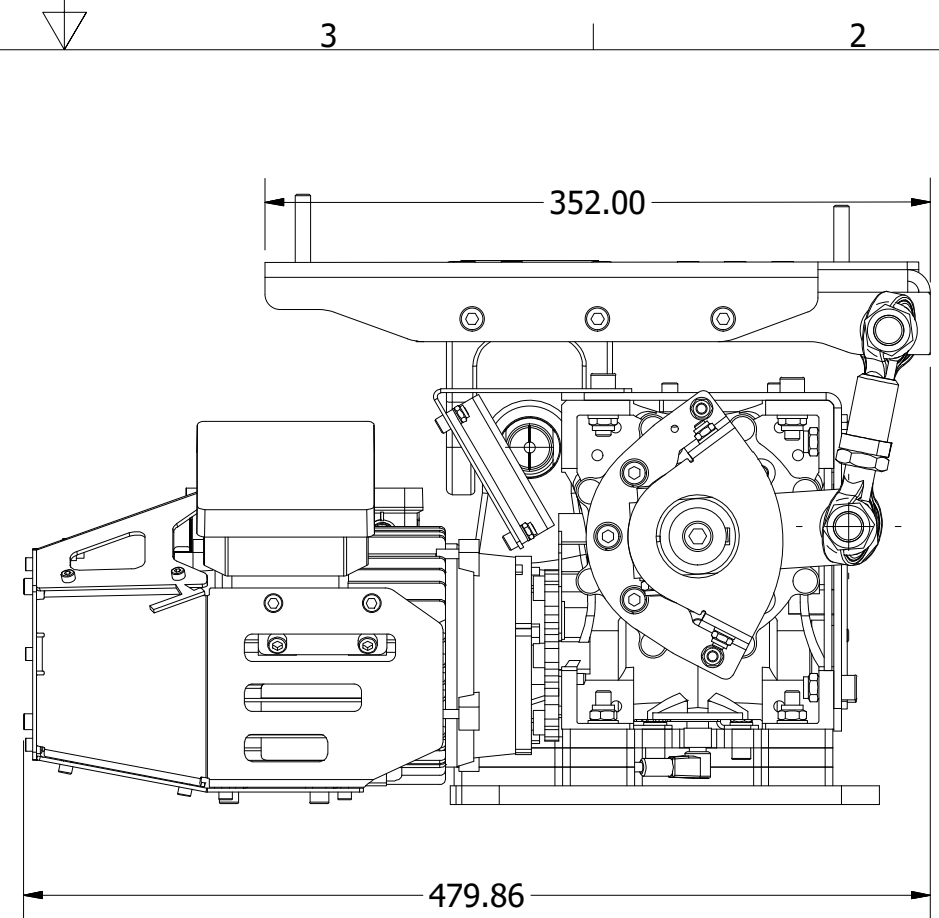
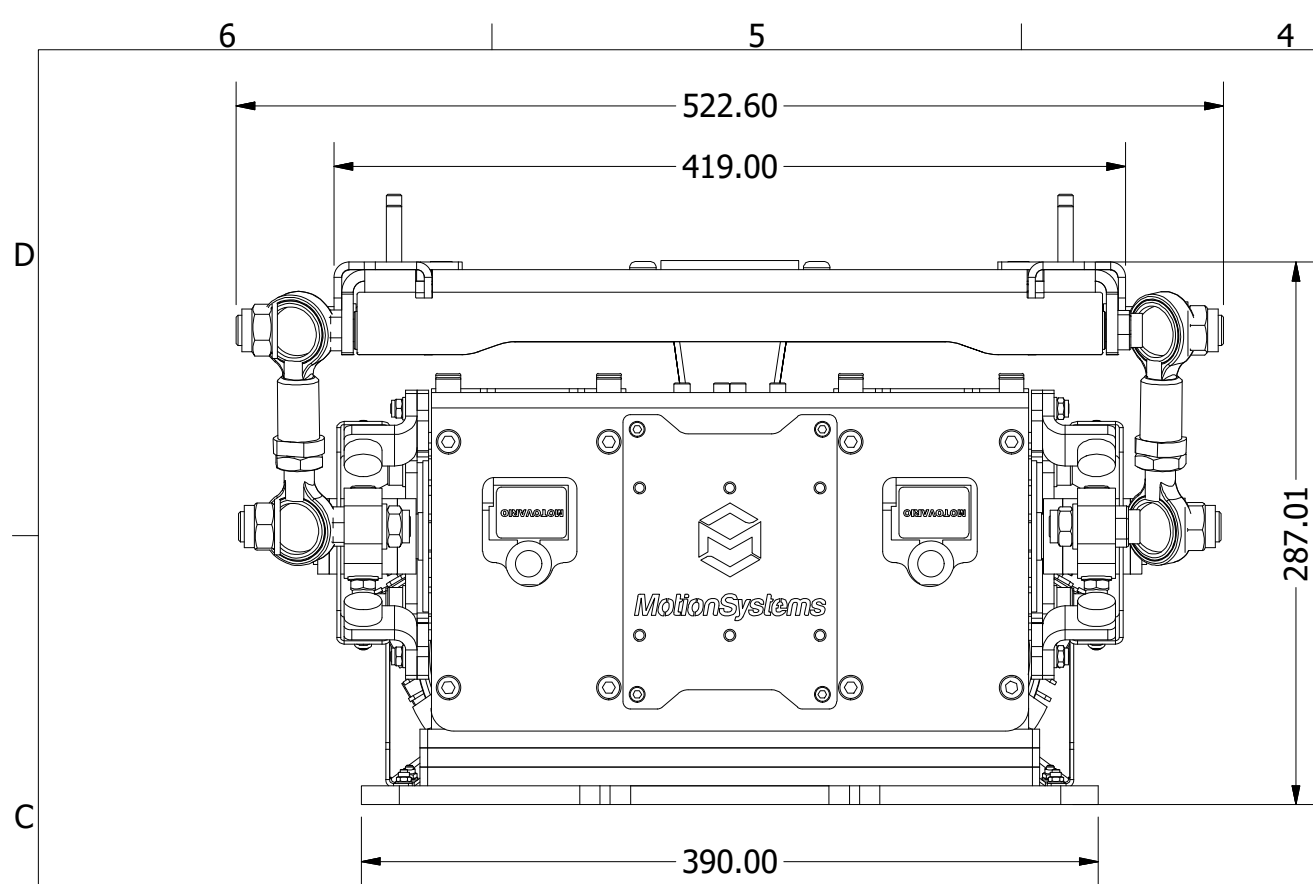



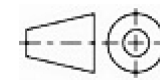
RESERVED AND CONFIDENTIAL

THE INFORMATION CONTAINED IN THIS DOCUMENTATION IS PROPERTY OF MOTION SYSTEMS COMPANY. ANY REPRODUCTION OF PARTS OR WHOLE WITHOUT WRITTEN PERMISSION IS PROHIBITED.

ZATRZEŻONE I POUFNE

INFORMACJE ZAWARTE W TEJ DOKUMENTACJI SĄ WŁASNOŚCIĄ FIRMY MOTION SYSTEMS. WSZELKIE REPRODUKCJE CZĘŚCI LUB CAŁOŚCI BEZ PISEMNEJ ZGODY SĄ ZABRONIONE.

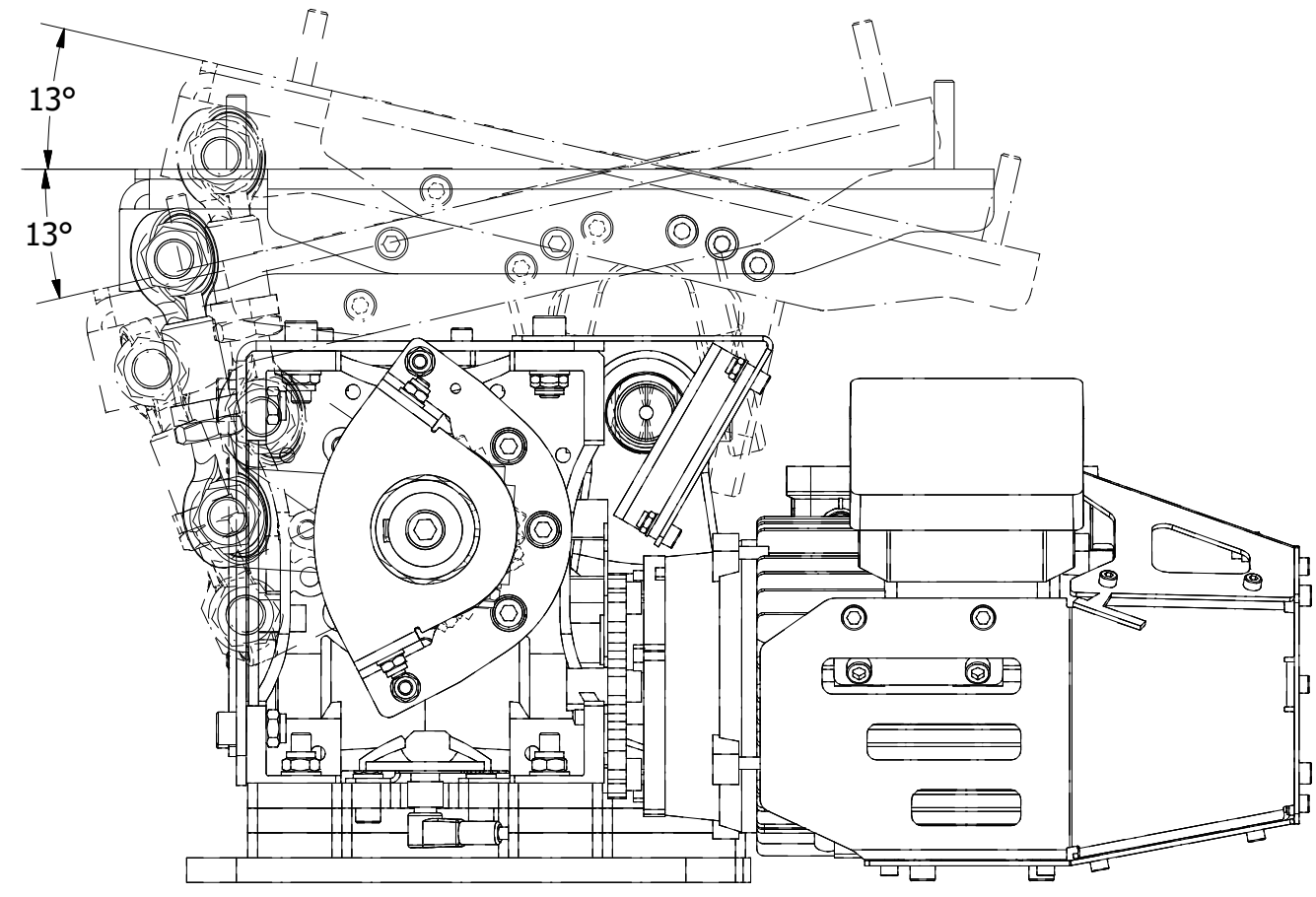
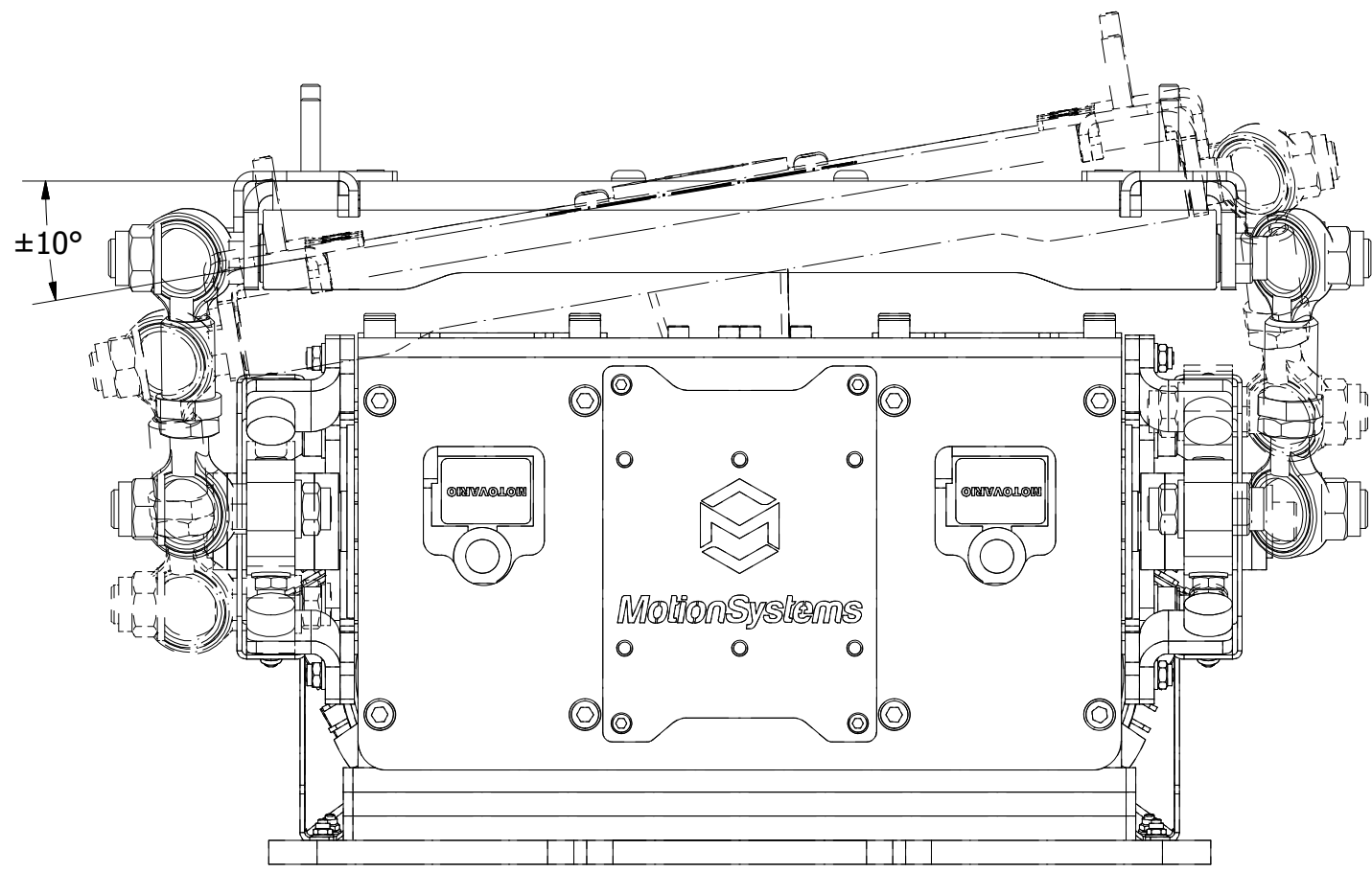


DRAWN BY:	JMA	 Motion Systems ul. Duńska 13, 54-427 Wrocław, Polska www.motionSystems.eu
CREATED ON:	04.11.2019	
TOLERANCE: <small>for non tolerated dimensions</small>	Linear: IT13 (PN-ISO 286) Non linear: H14/h14	TITLE
WEIGHT: <small>of one element</small>	Nie dotyczy	Main Dimensions
MATERIAL:		@Main.iam
MATERIAL TYPE:		SIZE A3 
QUANTITY: <small>per single device</small>		DWG NO PS-2RM-150_G-Dim
		SCALE 1 / 4
		SHEET 2 OF 5
		REV 5.0

6 5 4 3 2 1

D

D



C


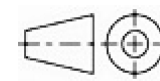
C

B

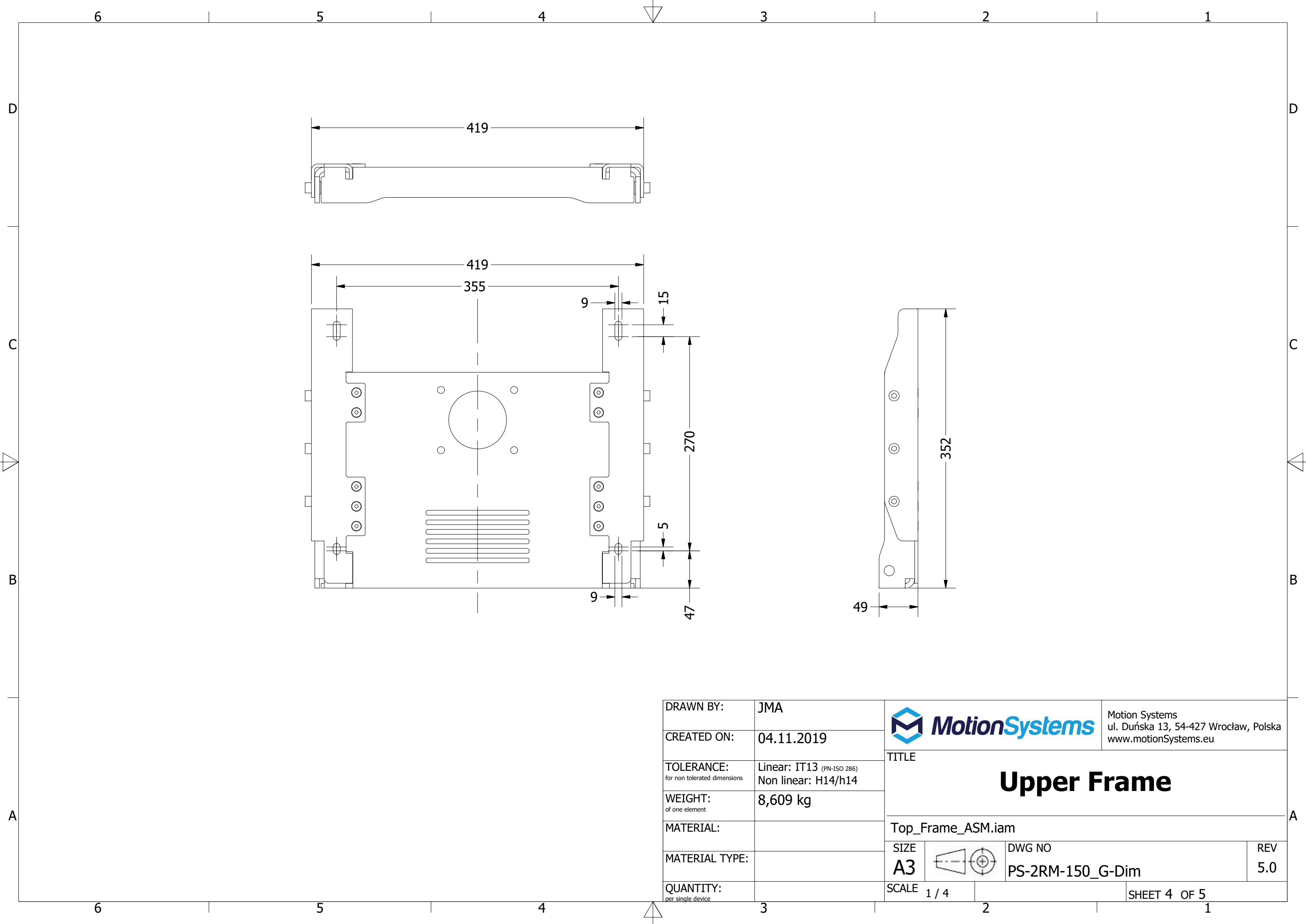
B


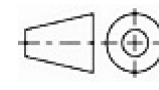
A

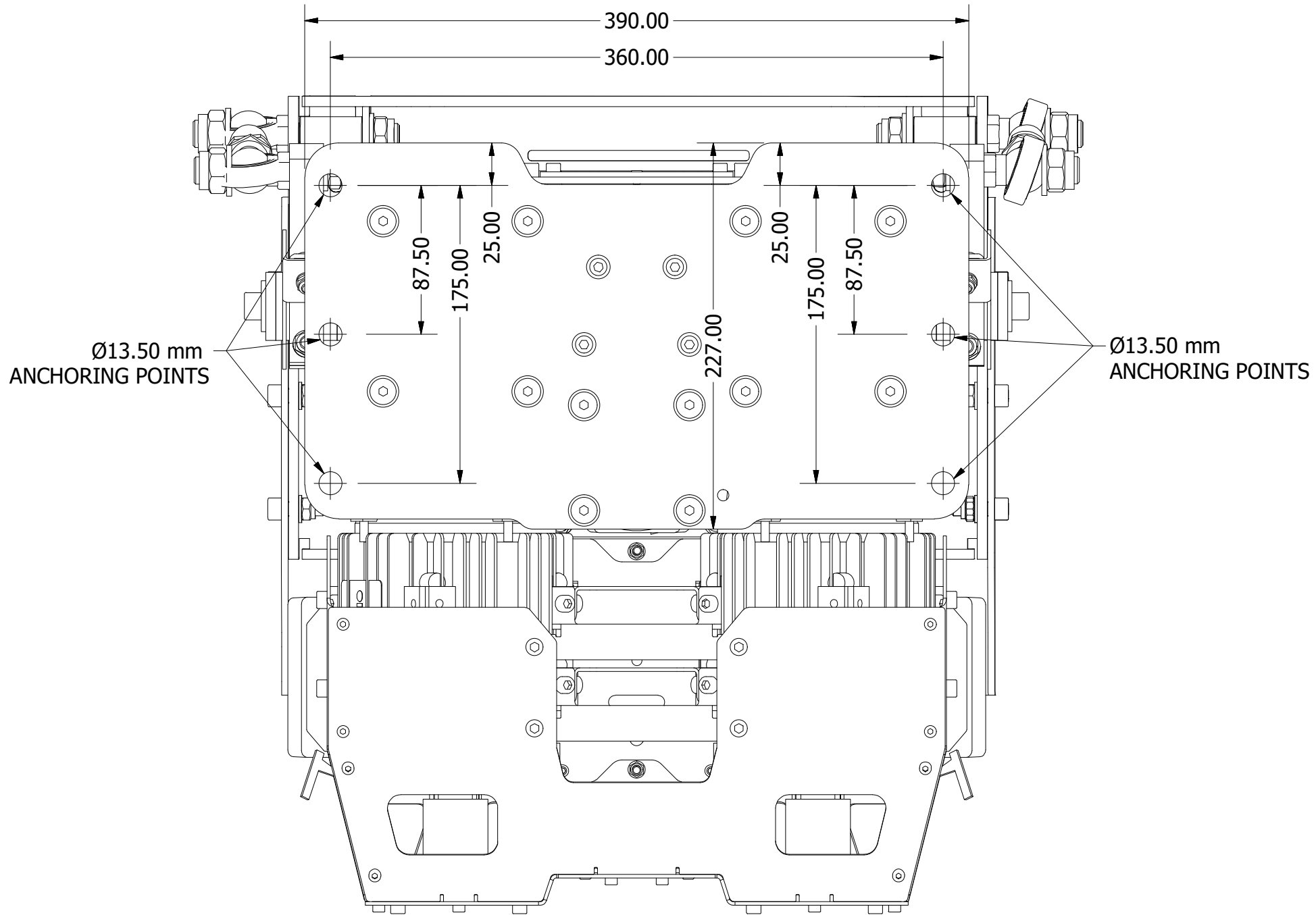
A

DRAWN BY:	JMA	 Motion Systems ul. Duńska 13, 54-427 Wrocław, Polska www.motionSystems.eu
CREATED ON:	04.11.2019	
TOLERANCE: <small>for non tolerated dimensions</small>	Linear: IT13 (PN-ISO 286) Non linear: H14/h14	TITLE
WEIGHT: <small>of one element</small>	Nie dotyczy	Motion Envelope
MATERIAL:		@Main.iam
MATERIAL TYPE:		SIZE A3 
QUANTITY: <small>per single device</small>		DWG NO PS-2RM-150_G-Dim
		SCALE 1/3
		REV 5.0
		SHEET 3 OF 5

6 5 4 3 2 1



DRAWN BY:	JMA	 Motion Systems ul. Duńska 13, 54-427 Wrocław, Polska www.motionSystems.eu
CREATED ON:	04.11.2019	
TOLERANCE: <small>for non tolerated dimensions</small>	Linear: IT13 (PN-ISO 286) Non linear: H14/h14	TITLE
WEIGHT: <small>of one element</small>	8,609 kg	Upper Frame
MATERIAL:		Top_Frame_ASM.iam
MATERIAL TYPE:		SIZE A3  DWG NO PS-2RM-150_G-Dim REV 5.0
QUANTITY: <small>per single device</small>		SCALE 1 / 4 SHEET 4 OF 5



DRAWN BY:	JMA
CREATED ON:	04.11.2019
TOLERANCE: <small>for non tolerated dimensions</small>	Linear: IT13 (PN-ISO 286) Non linear: H14/h14
WEIGHT: <small>of one element</small>	Nie dotyczy
MATERIAL:	
MATERIAL TYPE:	
QUANTITY: <small>per single device</small>	



Motion Systems
ul. Duńska 13, 54-427 Wrocław, Polska
www.motionSystems.eu

TITLE		
Anchoring Points		
@Main.iam		
SIZE	DWG NO	REV
A3	PS-2RM-150_G-Dim	5.0
SCALE 1 / 3	SHEET 5 OF 5	